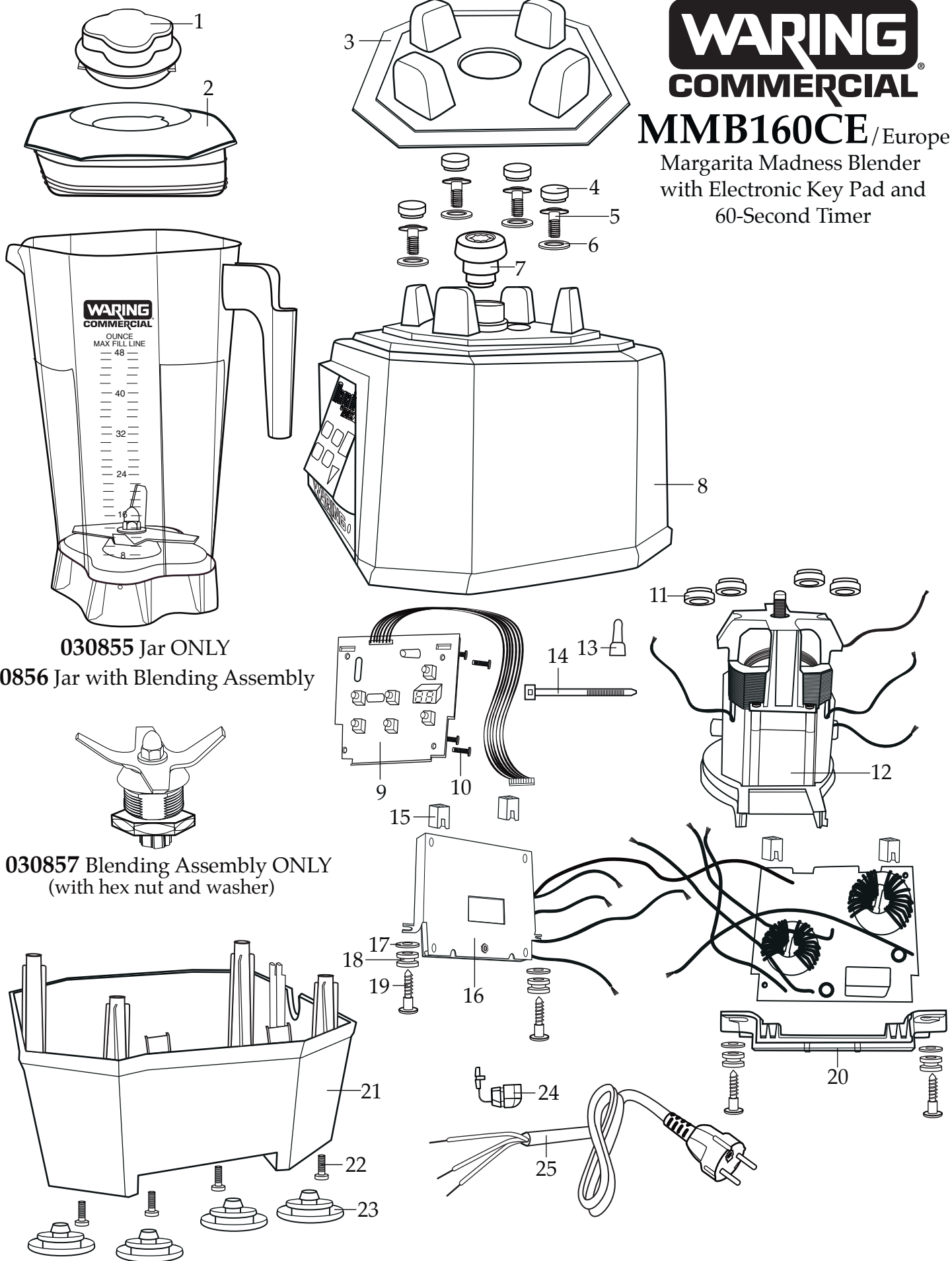
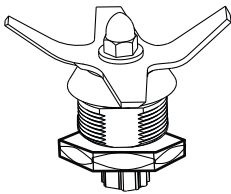


WARING
COMMERCIAL

MMB160CE / Europe
Margarita Madness Blender
with Electronic Key Pad and
60-Second Timer

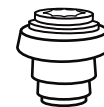


030855 Jar ONLY
030856 Jar with Blending Assembly



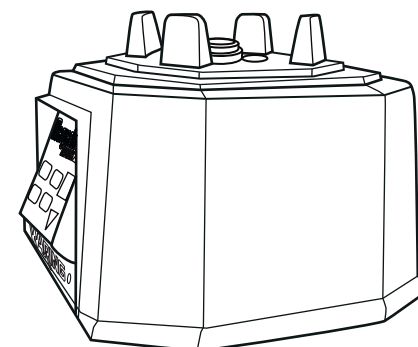
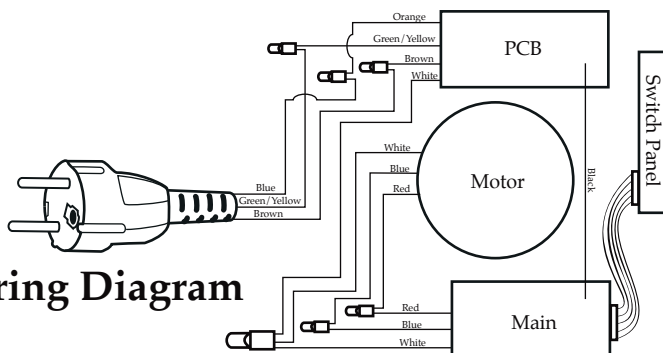
030857 Blending Assembly ONLY
(with hex nut and washer)

Illustration #	Part #	Description
1	030853	Center Lid
2	030854	Outer Lid
3	030858	Jar Pad
4	030859	Hole Plug (4 required)
5	030860	Shoulder Screw (4 required)
6	030861	Washer (4 required)
7	034349 032496	Drive Coupling (<i>current production</i>) Drive Coupling
8	034352 031134	Top Housing with Nameplates (<i>current production</i>) Top Housing with Nameplates
9	032509	Switch Panel
10	030869	Switch Panel Screw (4 required)
11	030866	Motor Seal (4 required)
12	032506	Motor
13	012409 019123	Small Crimp Connector (5 required) Large Crimp Connector (1 required)
14	013731	Cable Tie (4 required)
15	031133	PCB Cushion (2 required for Main Board & 2 required for PCB)
16	032499	Main PCB Board Assembly
17	030876	Washer (2 required for Main Board & 2 required for PCB)
18	031130	Rubber Bushing (2 required for Main Board & 2 required for PCB)
19	030877	Screw (2 required for Main Board & 2 required for PCB)
20	032498	PCB Bracket
21	030880	Bottom Housing
22	030881	Screw (4 required)
23	030882	Foot (4 required)
24	030879	Strain Relief
25	033824	Cord



032496
Drive Coupling

Wiring Diagram



031134
Top Housing with Nameplate